

第三章 通用紧急报警系统

CHAPTER 3 GENERAL EMERGENCY ALARM SYSTEM

◆ 产品概述 PRODUCT GENERAL

RM-1B通用紧急报警板参照"CCS"及"SOLAS"有关规范设计,用于通用紧急报警系统,也可以接入广播系统,使报警信号通过广播扬声器覆盖全船。报警板使用大规模集成电路及微处理技术,可产生多种报警信号。The general emergency alarm panel RM-1B, complied with the rules and regulations of CCS and SOLAS, is the main product in the alarm system. And it can also be connected to the PA system to make the alarming signal spread over the vessel. Designed with the large-scale IC and micro-processing technology, the panel can produce kinds of alarming signal.

典型的信号有:/The typical signals include:

通用紧急报警信号:七短一长循环周期输出。

手动报警信号:按开关通/断节奏输出。

火警信号:连续调频信号。

G/A signal: 7 short pulses followed by 1 long pulse output repeatedly and periodically.

Manual Alarm signal: signal output by the switch on or off.

Fire Alarm signal: continuous frequency adjustment signal.

输入点/Inputs

通用紧急报警板上设有“通用紧急报警”、“手动报警”2个按钮,还可接下列输入:

报警按钮:设在两舷、消防室或其它位置。

火警报警:火警信号延时2分钟接入通用报警系统。

紧急讲话:广播系统的主控制板可中断所有报警进行紧急讲话。

报警遥控台:救生艇旁发弃船信号及紧急讲话通知(防水式)。

2 buttons 'the general emergency alarm', 'manual alarm' have been installed in the panel. The following can also be connected to the panel:

Alarm button: mounted on the bridge wing, the fire room or other places.

Fire Alarm: 2 min after the fire alarm, PA system will work.

Emergency Paging: All the alarms can be interrupted by the main controller of PA for the emergency paging.

Alarm Remote Station(RM-1A): mounted on the lifeboat to give ship-abandoning signal and emergency paging (water-proof).

输出点/Outputs

警铃:输出继电器控制电铃、不能直接带电铃,需接WYC-1电源箱,可按要求提供大电流继电器盒。

广播:报警系统通过广播扬声器覆盖全船。

机舱报警灯板:报警信号延伸到机舱;常开触点输出。

雾笛控制器:控制雾笛按节奏发信号;无源常开触点输出。

切断娱乐设备电源:报警信号延伸到娱乐设备;常开触点输出。

Alarm bell: through the power box WYC-1, the bell can be connected which is controlled by the output relay.

Larger current relay box is available.

P/A: to spread the alarming signal over the vessel.

E/R alarm indicator column: to extend the signal to the E/R; N.O. contact output.

Whistle controller: to extend signals based on tones; passive N.O. contact output.

Cut off all the entertainment power; N.O. contact output.

◆ 技术参数 TECHNICAL DATA

供电:DC24V^{+30%}_{-25%} 200mA

AC220V±10%

输出触点容量为AC250V/1A或DC30V/3A,

该触点不能直接带电铃。

Power Supply: DC24V^{+30%}_{-25%} 200mA

AC220V±10%

The capacity of outputs are AC250V/1A or DC30V/3A

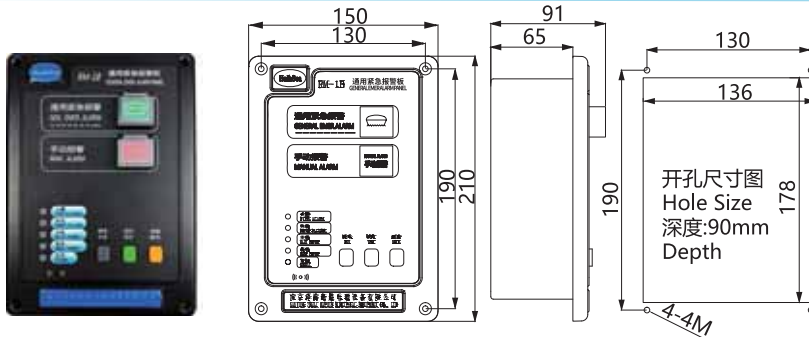
and the contact can't connect the ring bells directly.

◆ 系统组成 PRODUCT TABLE

序号 NO.	品名 Name	型号 Model	重量 Weight	防护等级 IP Class
1	通用紧急报警板 General emergency alarm system panel	RM-1B	1.1kg	IP20
2	通用报警电源箱 General alarm power box	WYC-1	4.3kg	IP22
3	报警遥控台 Alarm remote station	RM-1A	0.42kg	IP44
4	防风雨报警遥控台 Weatherproof alarm remote station	RM-1AF	1.38kg	IP56
5	通用报警按钮 General emergency alarm button	AN-6	0.22kg	IP44
6	防水通用报警按钮 Water-proof general emergency alarm button	DK-7	0.3kg	IP56
7	熔断器接线箱 Fuse junction box	DR-8R	0.6kg	IP20
8	电子铃 Electronic bell	Y LX120Q	0.25kg	IP55
9	电子铃 Electronic bell	Y LX120G	0.4kg	IP56
10	通用报警带灯电子铃 General alarm light & electronic bell	Y LX-120	0.6kg	IP22
11	通用报警防水带灯电子铃 General alarm waterproof light & electronic bell	Y LX-120F	0.6kg	IP56
12	防水大功率声光报警器 Waterproof high-power siren	DWJ-2Z	1.6kg	IP56
13	防水大功率声光报警器 Waterproof high-power siren	DWJ-5Z	2.3kg	IP56

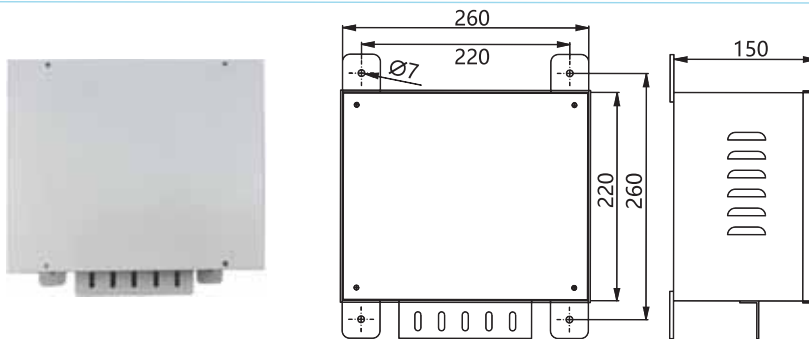
◆ 产品尺寸图 PRODUCT DIMENSIONS

RM-1B 通用紧急报警板 GENERAL EMERGENCY ALARM SYSTEM PANEL



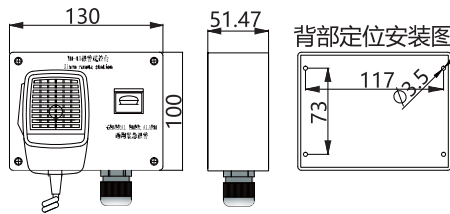
颜色(Colour):亚光黑 Dull Black
防护等级(IP Class):IP20
供电电源(Power Supply):
主电(Main Power)AC220V±10%
备电(EM'CY Power)DC24V^{+30%}_{-25%}
外壳材质(Hull Material):铁质 Steel
安装方式(Installation):
嵌入式 Flush type
声级(Sound Level):75-85db
重量(Weight):1.1kg

WYC-1 通用报警电源箱 GENERAL ALARM POWER BOX



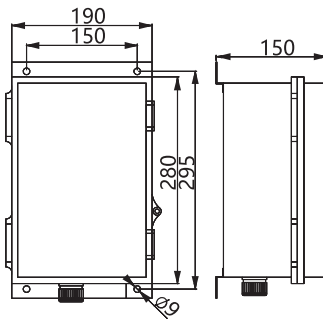
颜色(Colour):卵石灰 Pebble Grey
防护等级(IP Class):IP22
供电电源(Power Supply):
主电(Main Power):AC220V±10%
备电(EM'CY Power):DC24V^{+30%}_{-25%}
功率(Power):240W
外壳材质(Hull Material):铁质 Steel
安装方式(Installation):
壁挂式 Wall Mounting
重量(Weight):4.3kg

RM-1A 报警遥控台 ALARM REMOTE STATION



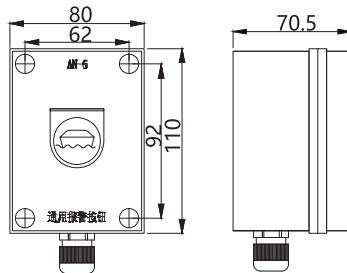
颜色(Colour):卵石灰 Pebble Grey
 防护等级(IP Class):IP44
 外壳材质(Hull Material):ABS
 安装方式(Installation):
 壁挂式 Wall Mounting)
 填料函(Stuffing Box):1*PG16
 重量(Weight):0.42kg

RM-1AF 防风雨报警遥控台 WEATHERPROOF ALARM REMOTE STATION



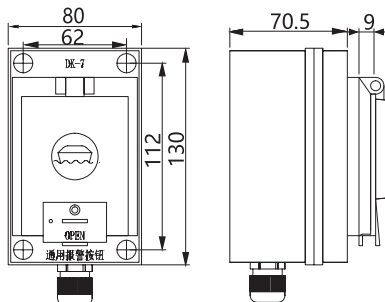
颜色(Colour):卵石灰 Pebble Grey
 防护等级(IP Class):IP56
 外壳材质(Hull Material):ABS
 安装方式(Installation):
 壁挂式 Wall Mounting
 填料函(Stuffing Box):1*PG16
 重量(Weight):1.38kg

AN-6 通用报警按钮 GENERAL EMERGENCY ALARM BUTTON



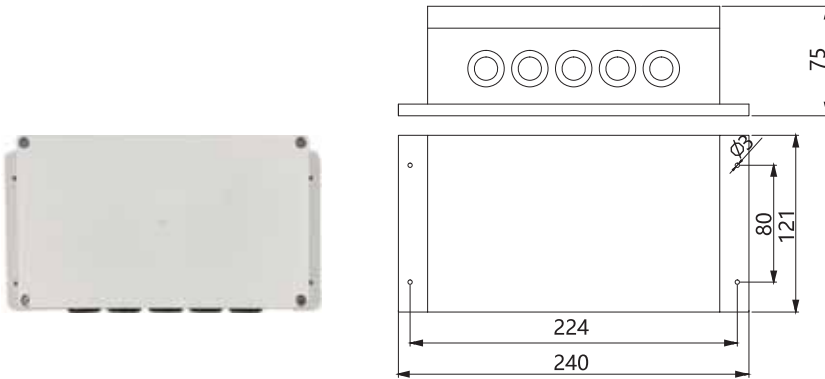
颜色(Colour):卵石灰 Pebble Grey
 防护等级(IP Class):IP44
 外壳材质(Hull Material):ABS
 安装方式(Installation):
 壁挂式 Wall Mounting
 填料函(Stuffing Box):1*PG13.5
 重量(Weight):0.22kg

DK-7 防水通用报警按钮 WATER-PROOF GENERAL EMERGENCY ALARM BUTTON



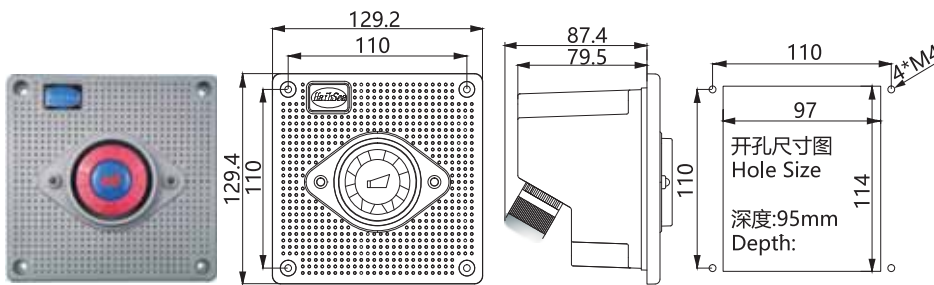
颜色(Colour):卵石灰 Pebble Grey
 防护等级(IP Class):IP56
 外壳材质(Hull Material):ABS
 安装方式(Installation):
 壁挂式 Wall Mounting
 填料函(Stuffing Box):1*PG13.5
 重量(Weight):0.3kg

DR-8R 熔断器接线箱 FUSE JUNCTION BOX



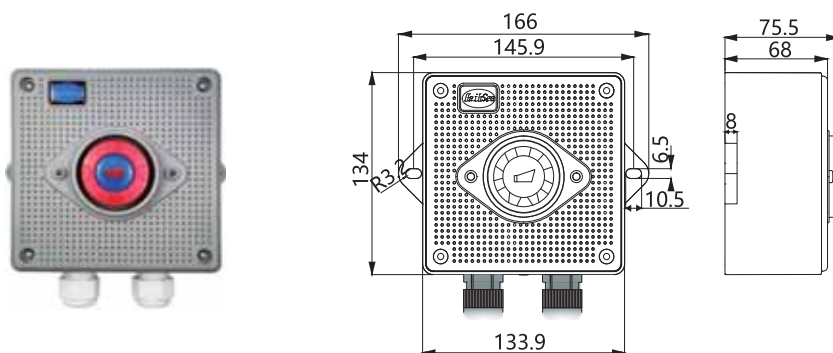
颜色(Colour):卵石灰 Pebble Grey
防护等级(IP Class):IP20
外壳材质(Hull Material):ABS
安装方式(Installation):
 壁挂式 Wall Mounting
重量(Weight):1.1kg

YLX-120Q 电子铃 ELECTRONIC BELL



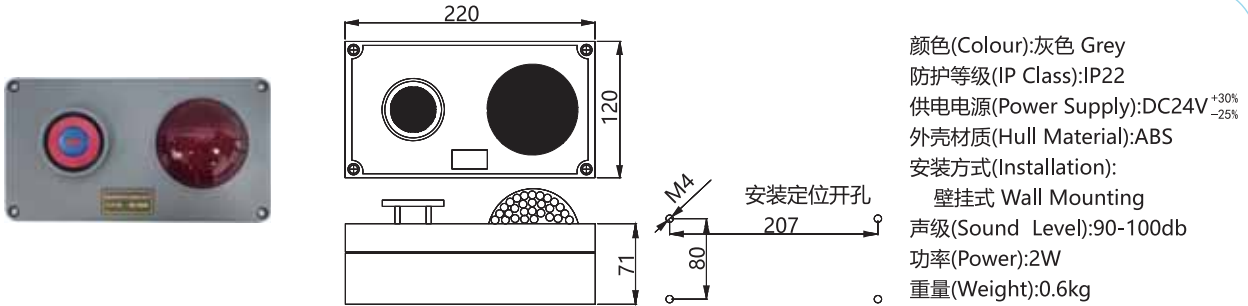
颜色(Colour):灰色 Grey
防护等级(IP Class):IP55
电压(Voltage):DC24V^{+30%}_{-25%}
 AC220V±10%
功率(Power):1W
声级(Sound Level):90-100db
外壳材质(Hull Material):ABS
安装方式(Installation):
 嵌入式 Flush Type
填料函(Stuffing Box):1*PG16
重量(Weight):0.25kg

YLX-120G 电子铃 ELECTRONIC BELL

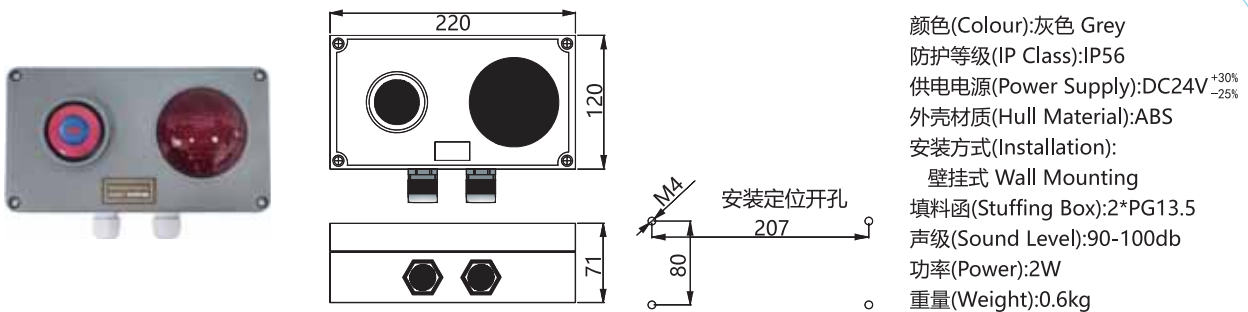


颜色(Colour):灰色 Grey
防护等级(IP Class):IP56
电压(Voltage):DC24V^{+30%}_{-25%}
 AC220V±10%
功率(Power):1W
声级(Sound Level):90-100db
外壳材质(Hull Material):ABS
安装方式(Installation):
 壁挂式 Wall Mounting
填料函(Stuffing Box):2*PG16
重量(Weight):0.4kg

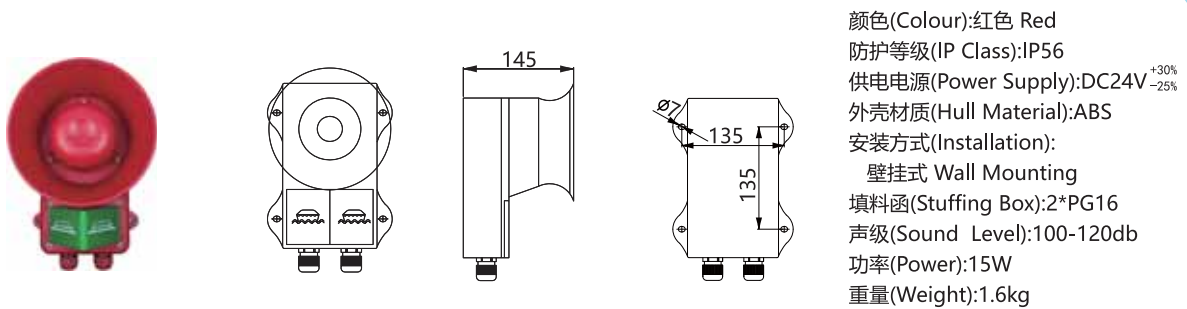
YLX-120 通用报警带灯电子铃 GENERAL ALARM LIGHT & ELECTRONIC BELL



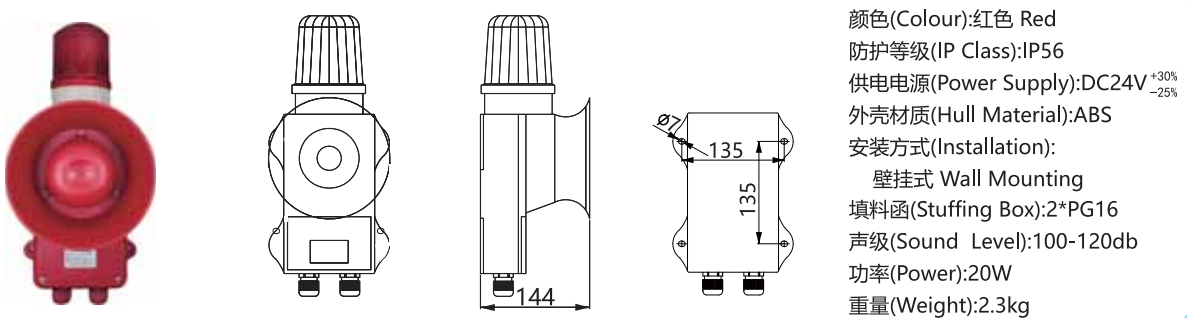
YLX-120F 通用报警防水带灯电子铃 GENERAL ALARM WATERPROOF LIGHT & ELECTRONIC BELL



DWJ-2Z 防水大功率声光报警器 WATERPROOF HIGH-POWER SIREN



DWJ-5Z 防水大功率声光报警器 WATERPROOF HIGH-POWER SIREN



◆ 系统接线图 SYSTEM CONNECTION DIAGRAM
通用报警系统 GENEAL EMERGENCY ALARM SYSTEM



通用紧急报警系统接线图 GENEAL EMERGENCY ALARM SYSTEM CONNECTION DIAGRAM

