

## 第四章 船用公共广播系统

## CHAPTER4 MARINE PUBLIC ADDRESS SYSTEM

## ◆ 产品概述 PRODUCT GENERAL

HKD 公共广播系统按照CCS《钢质海船入级规范》，《国际救生设备(LSA)规则》设计制造，主要作为各类船舶的船令指挥、对讲、对外喊话、通用报警声广播及文艺广播等功能的使用设备，也适用于港口、海洋平台等海洋工程及一般工矿企业、学校等单位的广播站，其特点是体积小、重量轻、输出功率大、功能多、操作简易、外型美观、维护方便等。

P/A system HKD series,complied with the CCS rules for Classification of Sea-going Steel Ships and the requirement of the International life-saving Appliance Code,is designed and manufactured for commanding,talk-back,loud-hailing,G/A broadcasting and entertainment broadcasting in kinds of vessels.It can also be used in the broadcasting stations in the ports,offshore platforms and schools etc. It features with small size,light weight,high output power,easy operation and convenient maintenance.

## ◆ 技术参数 TECHNICAL DATA

供电:AC220V±10%

DC24V(18V~36V)<sup>+30%</sup><sub>-25%</sub>

静态功耗: 15W

音频输出功率:50W/100W/150W

收音频率: FM87~108MHz

灵敏度: FM≤30μV

MIC输入:5mV/600Ω

功放频响:150~8000Hz

信噪比:≥50dB

满功率输入电平: 707mV±20%

输入阻抗: 10K

Power Supply:AC220V±10%

DC24V(18V~36V)<sup>+30%</sup><sub>-25%</sub>

Static Power Consumption:15W

Acoustic output power:50W/100W/150W

Radio Frequency Range:FM 87~108MHz

Sensitivity:FM≤30μV

MIC Input:5mV/600Ω

Amplifier Frequency: 50~8000 Hz

Signal to Noise:≥50 dB

Full power input frequency:707mV±20%

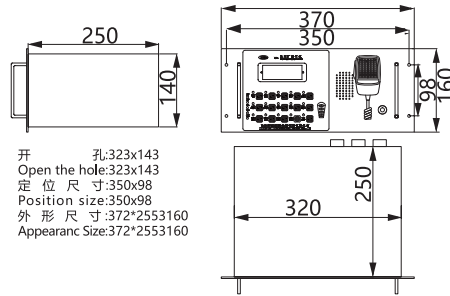
Input Impedance:10K

## ◆ 系统组成 PRODUCT TABLE

序号 NO.	品名 Name	型号 Model	重量 Weight	防护等级 IP Class
1	扩音机 Public Address	HKD-50D/100D/150D	6.7kg	IP20
2	扩音机 Public Address	HKD-50D	2.9kg	IP20
3	主遥控台 Main Remote console	RM-1Q	1.8kg	IP20
4	嵌入式遥控台 Flush Type Remote console	RM-1K	2kg	IP44
5	壁挂式遥控台 Wall Type Remote console	RM-1G	2kg	IP44
6	防风雨遥控台 Remote console	RM-1F	2.3kg	IP56
7	左右舷MIC盒 Port & Starboard MIC Box	CZB-1	0.5kg	IP44
8	音量调节器 Volume regulator	YL-1	0.1kg	IP20
9	双面低音扬声器 Double Bass Speaker	YDC-□S	1kg	IP22
10	吸顶式扬声器 Ceiling Speaker	YDC-□K	0.95kg	IP55
11	嵌入式低音扬声器(1W/3W/5W) Flush Type Low Pitch Loudspeakers	YDC-□Q	0.95kg	IP20
12	壁挂式低音扬声器(1W/3W/5W) Wall Type Low Pitch Loudspeakers	YDC-□G	1.1kg	IP44
13	嵌入式低音扬声器(1W/3W/5W) Flush Type Low Pitch Loudspeakers	YDC-□AQ	0.35kg	IP20
14	壁挂式低音扬声器(1W/3W/5W) Wall Type Low Pitch Loudspeakers	YDC-□AG	0.6kg	IP44
15	嵌入式防水扬声器(1W/3W/5W) Flush Type waterproof Loudspeakers	YDC-□DF	0.4kg	IP55
16	壁挂式防水扬声器(1W/3W/5W) Wall Type waterproof Loudspeakers	YDC-□FG	0.55kg	IP56
17	高音扬声器 High Pitch Loudspeakers	YHC10-1 YHC5-1	2.5kg	IP56
18	高音扬声器 High Pitch Loudspeakers	YHC25-1 YHC15-1	1.8kg	IP56

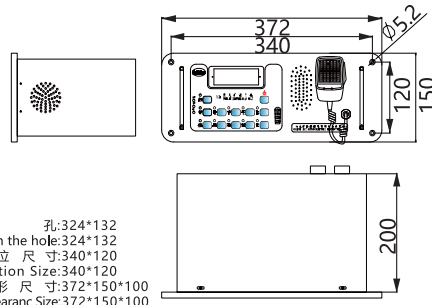
◆ 产品尺寸图 PRODUCT DIMENSIONS

HKD-50D/100D/150D 扩音机 PUBLIC ADDRESS



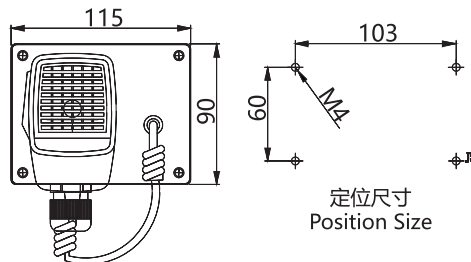
颜色(Colour):黑 Black  
防护等级(IP Class):IP20  
供电电源(Power Supply):  
主电(Main Power)AC220V $\pm$ 10%  
备电(EM'CY Power)DC24V $\begin{smallmatrix} +30\% \\ -25\% \end{smallmatrix}$   
功率(Power):50W/100W/150W  
外壳材质(Hull Material):铁质 Steel  
安装方式(Installation):嵌入式 Flush Type  
重量(Weight):6.7kg

HKD-50D 扩音机 PUBLIC ADDRESS



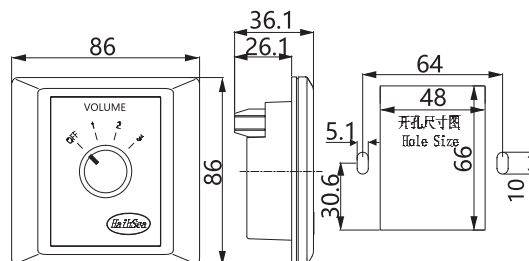
颜色(Colour):黑 Black  
防护等级(IP Class):IP20  
供电电源(Power Supply):  
主电(Main Power)AC220V $\pm$ 10%  
备电(EM'CY Power)DC24V $\begin{smallmatrix} +30\% \\ -25\% \end{smallmatrix}$   
功率(Power):50W  
外壳材质(Hull Material):ABS面板铁壳底  
ABS Panel IronBottom  
安装方式(Installation):嵌入式 Flush Type  
重量(Weight):2.9kg

CZB-1 左右舷MIC盒 PORT & STARBOARD MIC BOX



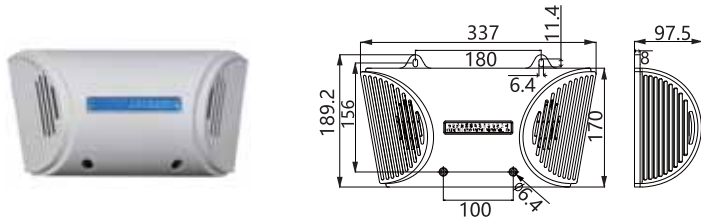
颜色(Colour):灰色 Grey  
防护等级(IP Class):IP44  
外壳材质(Hull Material):ABS  
安装方式(Installation):壁挂式 Wall Mounting  
重量(Weight):0.5kg

YL-1 音量调节器 VOLUME REGULATOR



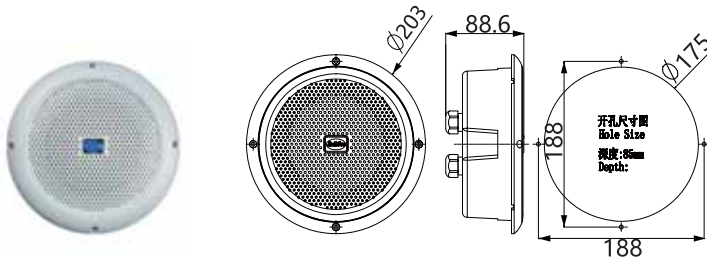
颜色(Colour):米白色 Milk White  
防护等级(IP Class):IP20  
定压(Rating Voltage):120V  
外壳材质(Hull Material):ABS  
安装方式(Installation):嵌入式 Flush Type  
重量(Weight):0.1kg

YDC-□S 双面低音扬声器(1W/3W/5W) DOUBLE BASS SPEAKER



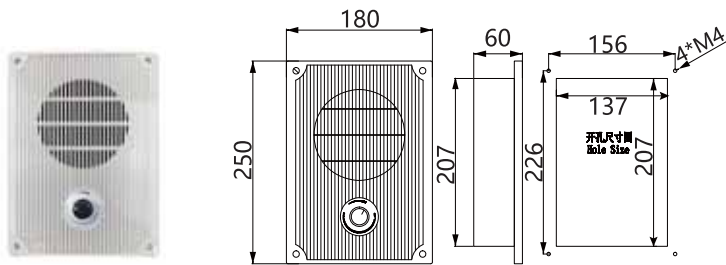
颜色(Colour):米白色 Milk White  
防护等级(IP Class):IP22  
功率(Power):1W/3W/5W  
定压(Rating Voltage):120V  
外壳材质(Hull Material):ABS  
安装方式(Installation):  
安装于内走道等, 壁式安装  
Mounted At Indoor Passage:Wall Mountin  
声级(Sound Pressure Level):77db-95db  
重量(Weight):1kg

YDC-□K 吸顶式扬声器(1W/3W/5W) CEILING SPEAKER



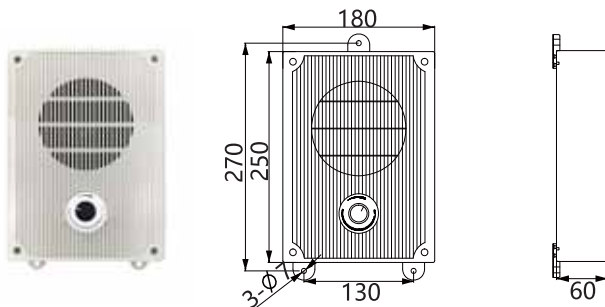
颜色(Colour):米白色 Milk White  
防护等级(IP Class):IP55  
功率(Power):1W/3W/5W  
定压(Rating Voltage):120V  
外壳材质(Hull Material):ABS  
安装方式(Installation):  
安装于室内等, 嵌入式安装  
Mounted at indoor:Flush Mounting  
声级(Sound Pressure Level):77db-95db  
填料函:2\*PG16  
重量(Weight):0.95kg

YDC-□Q 嵌入式低音扬声器(1W/3W/5W) FLUSH TYPE LOW PITCH LOUDSPEAKERS



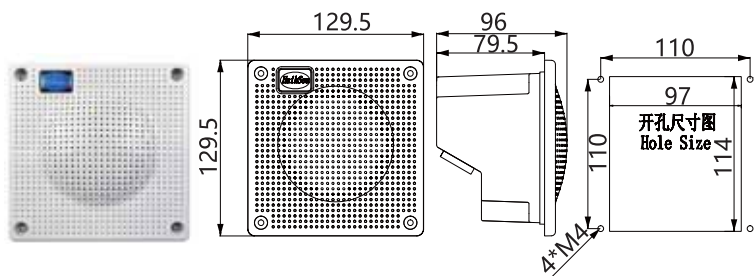
颜色(Colour):米白色 Milk White  
防护等级(IP Class):IP20  
功率(Power) :1W/3W/5W  
定压(Rating Voltage):120V  
外壳材质(Hull Material):ABS  
安装方式(Installation):  
嵌入式 Flush Type  
声级(Sound Pressure Level):75-95db  
重量(Weight):0.95kg

YDC-□G 壁挂式低音扬声器(1W/3W/5W) WALL TYPE LOW PITCH LOUDSPEAKERS



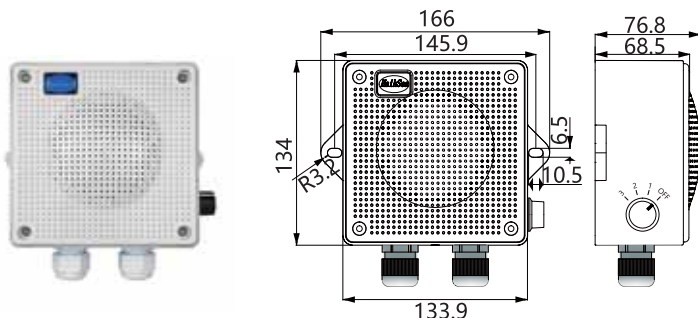
颜色(Colour):米白色 Milk White  
防护等级(IP Class):IP44  
功率(Power):1W/3W/5W  
定压(Rating Voltage):120V  
外壳材质(Hull Material):ABS  
安装方式(Installation):  
壁挂式 Wall Mounting  
声级(Sound Pressure Level):75-95db  
重量(Weight):1.1kg

YDC-□AQ 嵌入式低音扬声器(1W/3W/5W) FLUSH TYPE LOW PITCH LOUDSPEAKERS



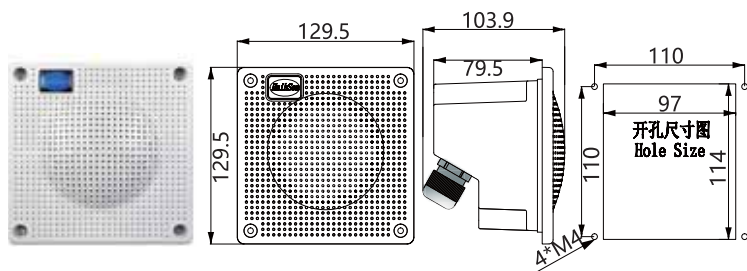
颜色(Colour):米白色 Milk White  
 防护等级(IP Class):IP20  
 功率(Power):1W/3W/5W  
 定压(Rating Voltage):120V  
 外壳材质(Hull Material):ABS  
 安装方式(Installation):  
 嵌入式 Flush Type  
 声级(Sound Pressure Level):75db-95db  
 重量(Weight):0.35kg

YDC-□AG 壁挂式低音扬声器(1W/3W/5W) WALL TYPE LOW PITCH LOUDSPEAKERS



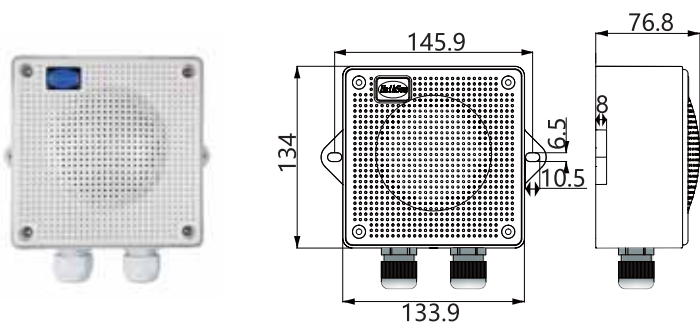
颜色(Colour):米白色 Mik White  
 防护等级 ( ):IP44  
 功率(Power) :1W/3W/5W  
 定压(Rating Voltage):120V  
 外壳材质(Hull Material):ABS  
 安装方式(Installation):  
 壁挂式 Wall Mounting  
 声级(Sound Pressure Level):75-95db  
 填料函(Stuffing Box):2\*PG16  
 重量(Weight):0.6kg

YDC-□DF 嵌入式防水扬声器(1W/3W/5W) FLUSH TYPE WATERPROOF LOUDSPEAKERS



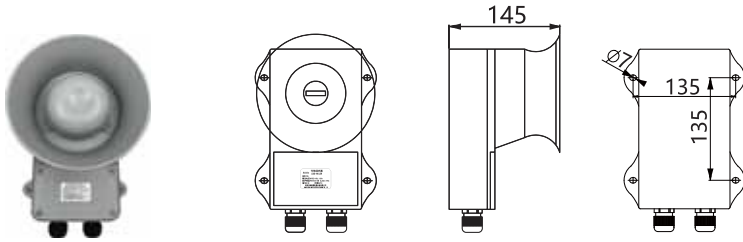
颜色(Colour):米白色 Milk White  
 防护等级(IP Class):IP55  
 功率(Power):1W/3W/5W  
 定压(Rating Voltage):120V  
 外壳材质(Hull Material):ABS  
 安装方式(Installation):  
 安装于卫生间及其他有水雾等位置,  
 嵌入式安装  
 Mounted At Toilet Or Other Areas  
 With Vapour Flush Mounting  
 声级(Sound Pressure Level):75db-95db  
 填料函(Stuffing Box):1\*PG16  
 重量(Weight):0.4kg

YDC-□FG 壁挂式防水扬声器(1W/3W/5W) WALL TYPE WATERPROOF LOUDSPEAKERS



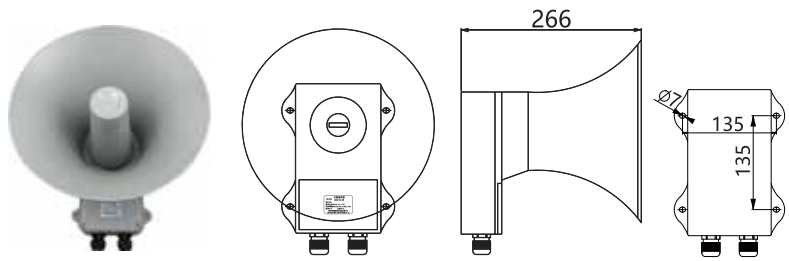
颜色(Colour):米白色Milk White  
 防护等级(IP Class):IP56  
 功率(Power):1W/3W/5W  
 定压(Rating Voltage):120V  
 外壳材质(Hull Material):ABS  
 安装方式(Installation):  
 安装于卫生间及其他有水雾等位置,  
 壁挂式安装  
 Mounted At Toilet Or Other Areas  
 With Vapour Flush Mounting  
 声级(Sound Pressure Level):75db-95db  
 填料函(Stuffing Box):2\*PG16  
 重量(Weight):0.55kg

YHC10-1 YHC5-1 高音扬声器 HIGH PITCH LOUDSPEAKERS



颜色(Colour):灰色 Grey  
防护等级(IP Class):IP56  
功率(Power):5、10w  
定压(Rating Voltage):120V  
外壳材质(Hull Material):ABS  
安装方式(Installation):  
    壁挂式(Wall Mounting)  
填料函(Stuffing Box):2\*PG16  
声级(Sound Pressure Level):100-120db  
重量(Weight):2.5kg

YHC25-1 YHC15-1 高音扬声器 HIGH PITCH LOUDSPEAKERS



颜色(Colour):灰色 Grey  
防护等级(IP Class):IP56  
功率(Power):15、25w  
定压(Rating Voltage):120V  
外壳材质(Hull Material):ABS  
安装方式(Installation):  
    壁挂式(Wall Mounting)  
填料函(Stuffing Box):2\*PG16  
声级(Sound Pressure Level):100-120db  
重量(Weight):1.8kg

◆ 系统接线图 SYSTEM CONNECTION DIAGRAM

船用公共广播系统接线图

MARINE PUBLIC ADDRESS SYSTEM CONNECTION DIAGRAM

